

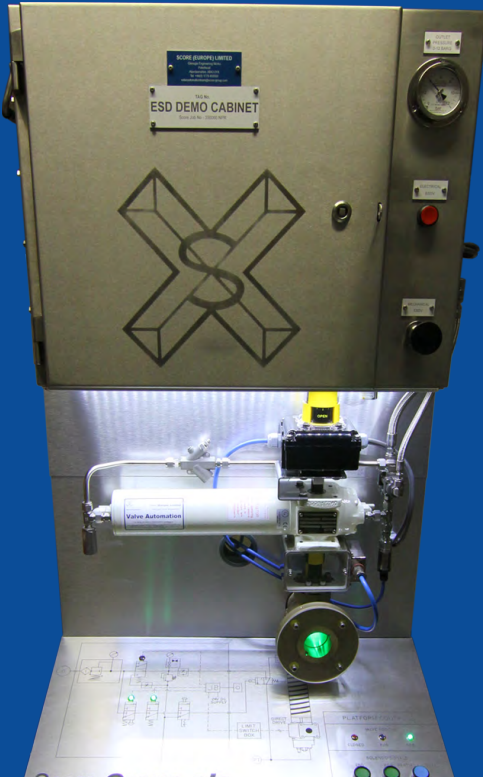
Score (**Europe**) Limited

Intelligent Valve Management™

www.score-europe.com

ESD & PST Control Systems & Cabinet

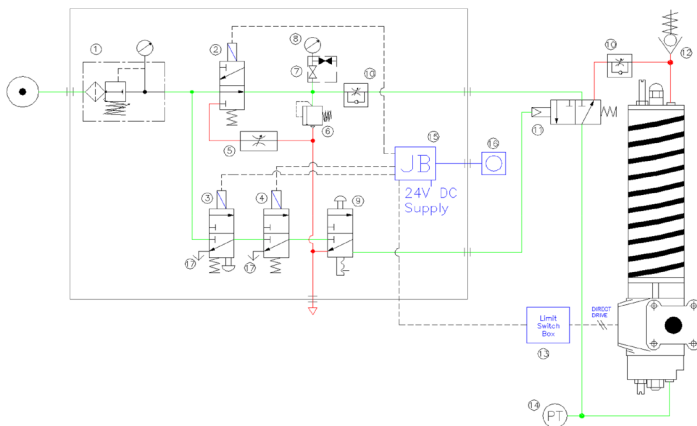
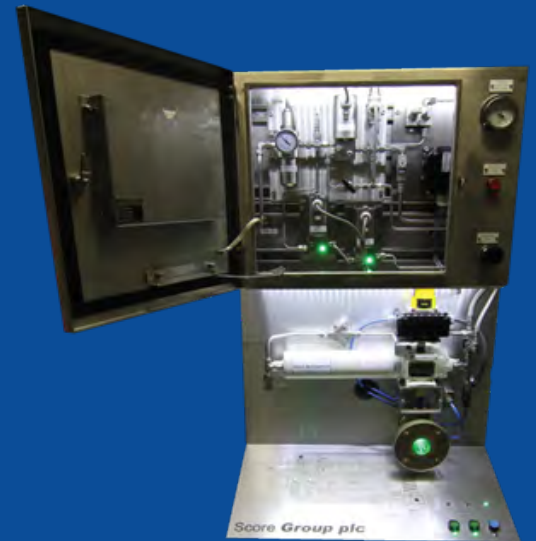
Score Europe's PST (Partial Stroke Testing) Control Panel is the ultimate high-specification interface between the production platform control system and the valve actuator assembly.



It enables the reliable, efficient and safe remote operation of valves in the oil and gas industries worldwide.

PCS, ESD and Partial Stroke solenoid valves, in combination with flow control valves and limit switches, ensure that partial closing of emergency shut-down or blow-out valves is tested with minimal disruption to production activities.

The PCS solenoid (auto re-set) and the ESD solenoid (manual re-set) operate the actuator within standard operating times. The Partial Stroke Solenoid will slowly vent pressure from the actuator during a controlled 10-degree closure, then return to fully open.



The key features demonstrated are part of Score's Intelligent Valve Management programme for its supply, overhaul, repair and maintenance activities. Our fully integrated design and service package ensures that clients benefit during all stages of their project from planning through to completion and beyond.

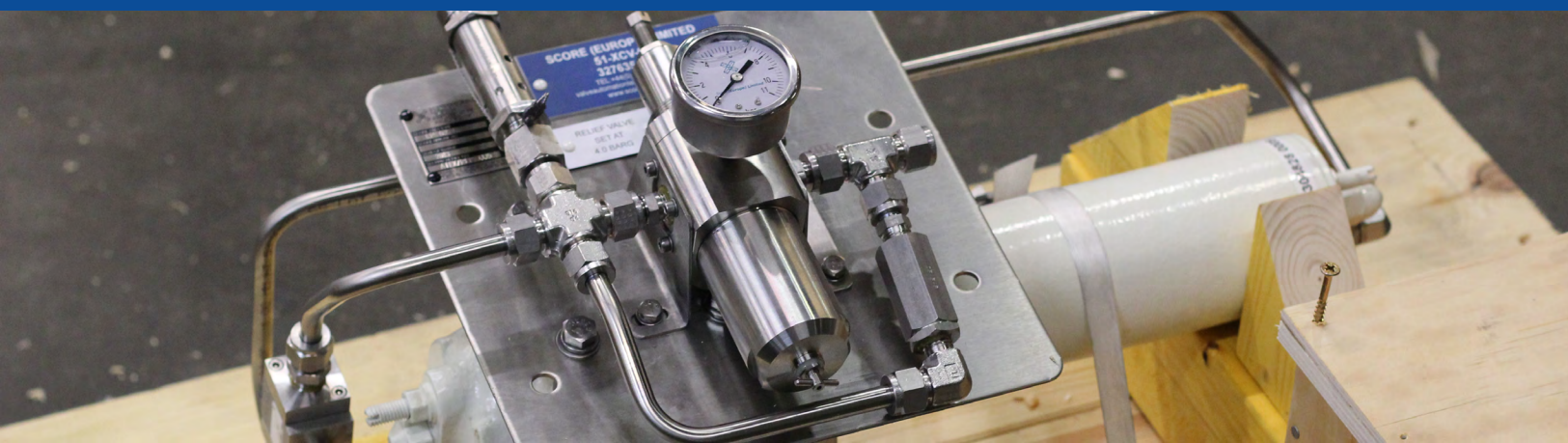
With huge quantities of all types of valve and actuator components in stock, Score's experienced specialist valve automation technicians and other staff are able to process and fulfil your order in a short period of time, thus keeping expensive 'down time' to a minimum.

Valve Automation



Our dedicated Valve Automation division within our facility in Peterhead, Scotland provides the most modern manufacturing techniques to ensure that high quality products and rapid deliveries are achieved.

Score Valve Automation technicians and equipment can be mobilised to an offshore or onshore location to undertake control system overhaul, repair or maintenance activities.



Valve Automation Support Services

- Control system design and manufacture
- Hydraulic flushing and fluid sampling
- Hydrostatic testing
- Nitrogen testing
- Factory acceptance testing
- Installation and commissioning
- Control system maintenance strategies and implementation
- Skilled and qualified instrument technicians

Valve Automation Support

- Well control system maintenance
- HPU maintenance
- Instrument calibration
- Relief valve recertification
- Pressure testing
- Flushing
- Installation
- Surveys